

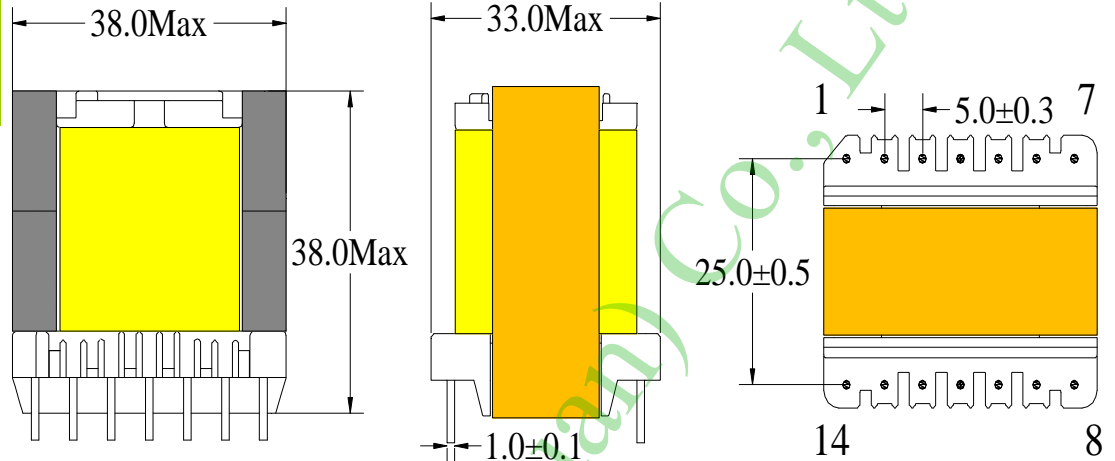


High-frequency transformer

ER33 Series

Parameters/Dimensions:

ER33 Type 1



Information:

Shape:ER33

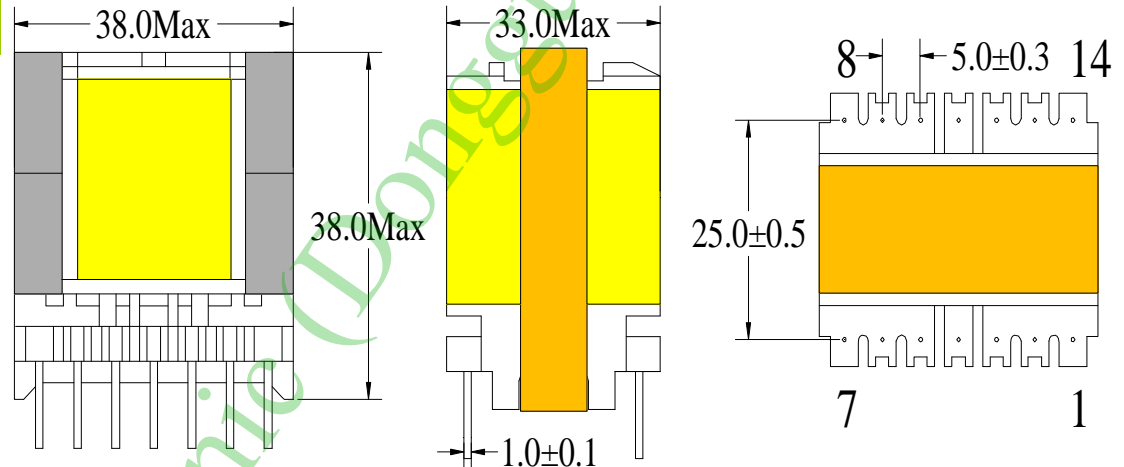
1 Power:150W

2 Mounting Orientation: Vertical

3 Size: 38 (W) * 33(L) * 38 (H)

4 Effective Ae (mm2):125.0

ER33 Type 2



Information:

Shape:ER33

1 Power:150W

2 Mounting Orientation: Vertical

3 Size: 38 (W) * 33(L) * 38 (H)

4 Effective Ae (mm2):125.0

Note:

Bobbin type listed in the traditional style, transformer design parameters to customer needs or to inject prevail.

ER series high-frequency transformer features:

Coupled good location, in the column for the round, easy winding and winding area increases, can be designed to power large and small leakage inductance of the transformer.

Uses:

TV power supply, display, switching power supply, navigation, LED power supply